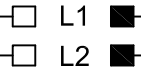
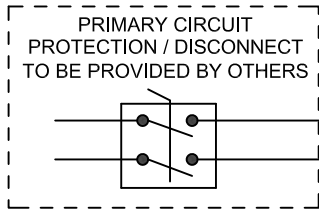


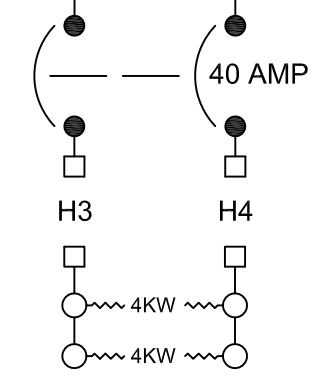
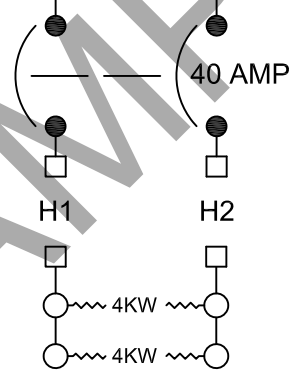
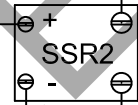
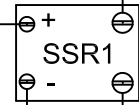
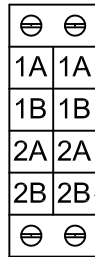
240 VOLT 1Ø 85 AMPS



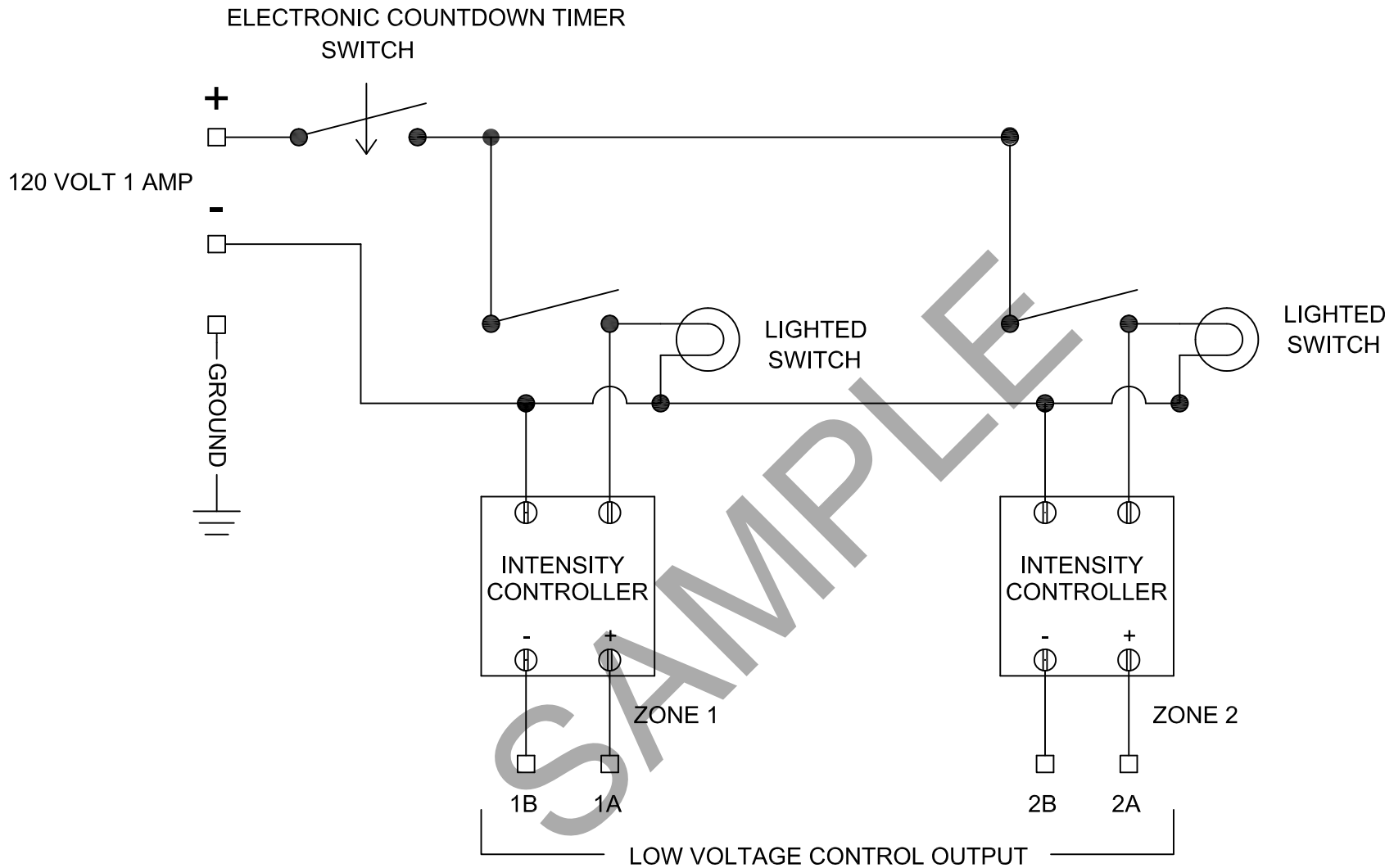
RELAY 1  
8 KW MAX

RELAY 2  
8 KW MAX

LOW VOLTAGE CONTROL INPUT



|   |  |   |  |
|---|--|---|--|
| <b>INFRA TECH</b><br><small>www.infratech-usa.com</small> |  | <small>15700 S. Figueroa St.<br/>         Gardena, California 90248<br/>         Phone: (310) 354-1250<br/>         Fax: (310) 523-3674</small> |  |
|   |  | DESCRIPTION<br>2 RELAY CONTROL PANEL<br>240 VOLT SINGLE PHASE 85 AMPS   |  |
| CUSTOMER<br>Sample  |  |   |  |
| DATE  |  | ITEM# X-30-4052   |  |
| JOB#  |  | UL#   |  |



NOTE: USE TWISTED PAIR OR SHIELDED  
WIRE FOR LOW VOLTAGE HOOK-UP.

|   |       |   |
|---|-------|---|
| <b>INFRATECH</b><br>www.infratech-usa.com |       | 15700 S. Figueroa St.<br>Gardena, California 90248<br>Phone: (310) 354-1250<br>Fax: (310) 523-3674    |
| DESCRIPTION                               |       | 2 ZONE REMOTE INTENSITY CONTROL UNIT WITH INTERMATIC ELECTRONIC IN-WALL TIMER (15-30-60-120-240 MIN.) |
| CUSTOMER                                  |       | Sample  |
| DATE                                      | ITEM# | X-30-4046   |
|   | JOB#  |   |